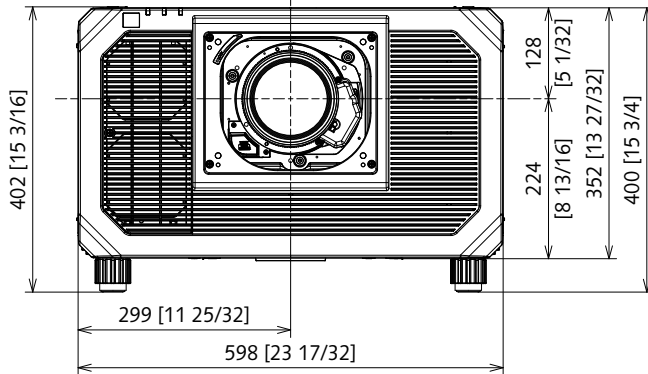
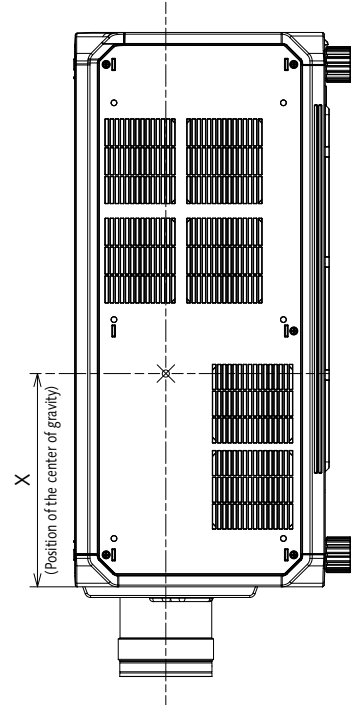
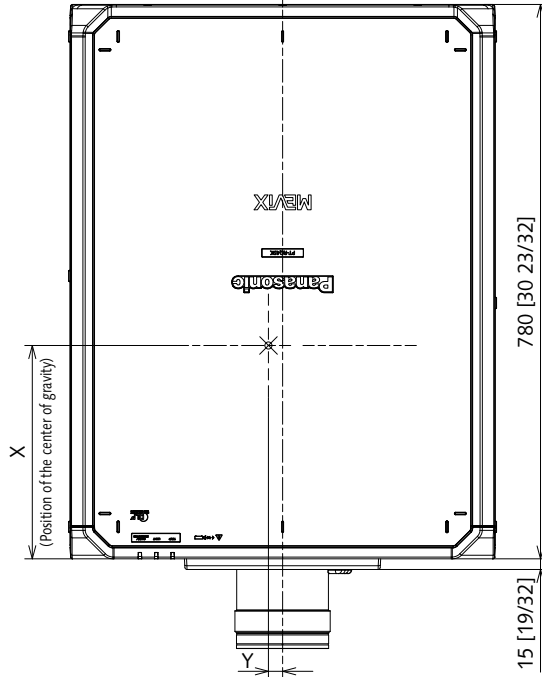
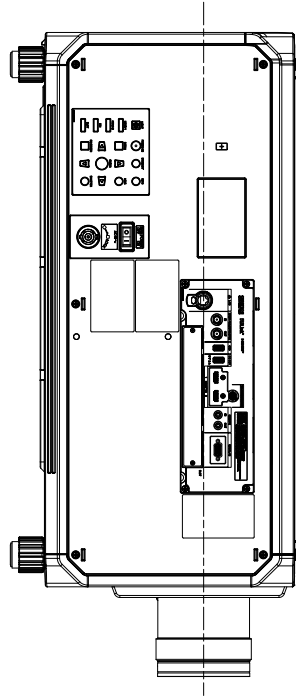
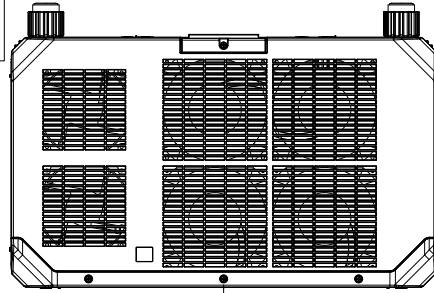


# Panasonic Projector

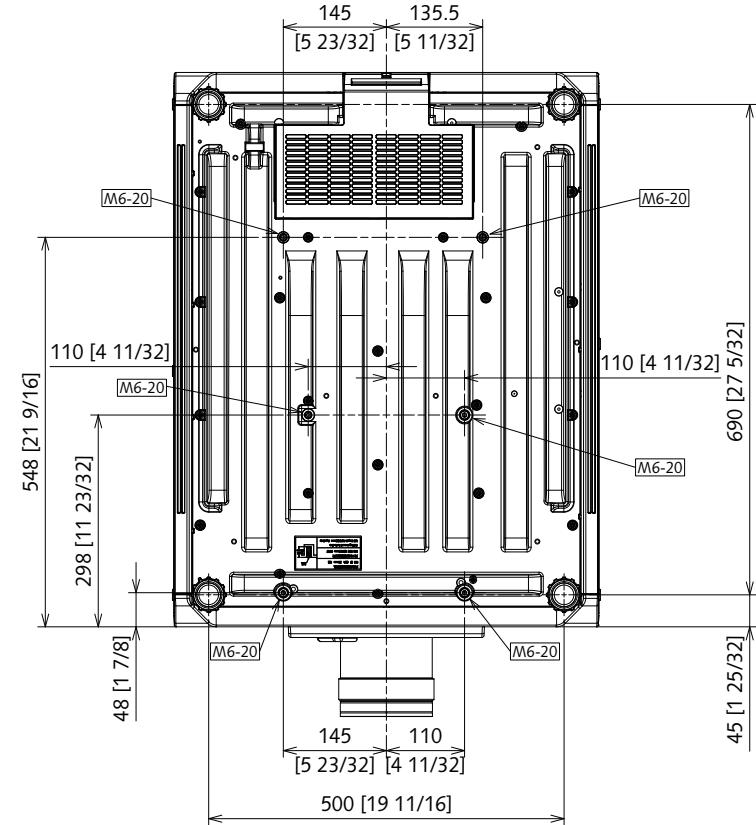
## PT-RQ45K/RZ44K



Position of the center of gravity

Unit : mm [inch]

LENS	X	Y	LENS	X	Y
ET-D3LEW201	328 [12 15/16]	1 [1/32]	ET-D3LES20	359 [14 1/8]	8 [5/16]
ET-D3LEU101	333 [13 1/8]	0 [0]	ET-D3LES250	361 [14 7/32]	
ET-D3LEW50	345 [13 19/32]		ET-D3LET30	354 [13 15/16]	
ET-D75LE95	351 [13 13/16]		ET-D3LET40	359 [14 1/8]	
ET-D3LEW300	337 [13 9/32]		ET-D3LET80	336 [13 7/32]	
ET-D3LEW60	337 [13 9/32]		ET-D3LEF70	337 [13 9/32]	
ET-D3LEW600	339 [13 11/32]		Without lens	388 [15 9/32]	
ET-D3LEW10	351 [13 13/16]				



mm [inches]

Design and specifications subject to change without notice.  
This shows the projector with the optional ET-D3LES250 lens.